



广州市番禺奥迪威电子有限公司

Audiowell Electronics (Guangzhou) Co., Ltd.

地址: 中国广东省广州市番禺区迎宾路东升工业区 邮政编码: 511400  
Add: Dongsheng Industrial Park, Yingbin Road, Panyu, Guangzhou 511400, China  
Tel: +86-20-84802041 84802405 84871596 34516785 Fax: 84665207



# 承 认 书

## SPECIFICATION FOR APPROVAL

客 户

CUSTOMER \_\_\_\_\_

奥迪威料号 14.4A01-TK606L60-01

客户料号 \_\_\_\_\_

AUDIOWELL P/N \_\_\_\_\_

CUST P/N \_\_\_\_\_

品 名 TK606

日 期 2010-3-14

DESCRIPTION \_\_\_\_\_

DATE \_\_\_\_\_

编 号 \_\_\_\_\_

NUMBER \_\_\_\_\_

### 超声波传感器明细

#### ULTRASONIC SENSOR SPECIFICATIONS

1. 型号 MODEL
2. 电性能明细 ELECTRICAL SPECIFICATIONS
3. 外观尺寸 DIMENSIONS
4. 测试线路 TEST CIRCUIT
5. 测试报告 TEST REPORTS

客户签认 CUSTOMER APPROVAL	承认 APPD.	承认章 COMPANY CHOP	
出图 DRAWING	制作 DWN.	审核 CHK.	核准 APPD.

注: 承认书一式两份, 请返回一份 PLEASE SENT ONE OF THE SAME TWO BACK

广州市番禺奥迪威电子有限公司

AUDIOWELL ELECTRONICS (GUANGZHOU) CO. LTD

广州番禺市桥镇迎宾路东升工业区

DONG SHENG INDUSTRIAL PARK, YINGBIN ROAD,

PANYU, GUANGZHOU, CHINA

TEL: (020) 84871596 FAX: (020) 84665207

Http: // [www.audiowell.com](http://www.audiowell.com)

DRAWING NO.: YY60600103

REV.: A1

PAGE:

---

AUDIOWELL ELECTRONICS (GUANGZHOU) CO. LTD

<http://www.audiowell.com>

## PIEZO ULTRASONIC SENSOR WITH A CIRCUIT

### SPECIFICATIONS

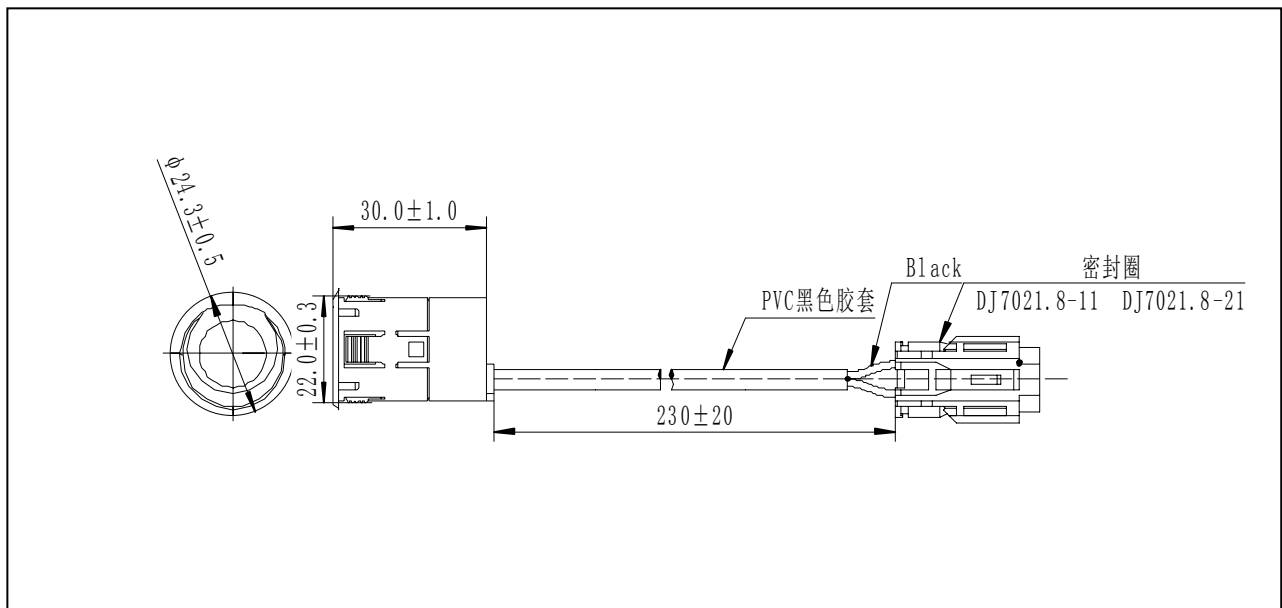
■ MODEL: 14.4A01-TK606L60-01

NO: TK606-001-03

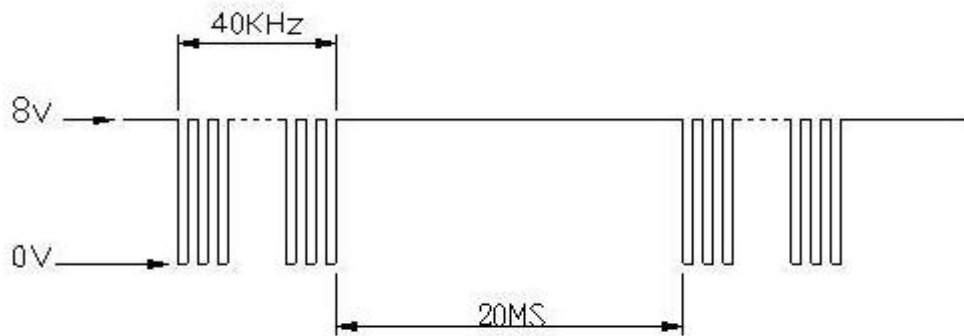
■ ELECTRICAL SPECIFICATION:

1	Center frequency(KHz)	40±1.0
2	Echo Sensitivity(mV)	≥500
3	Delay Time(ms)	≤1.2
4	Directivity (deg) X-axis	60±10
5	Directivity (deg) Y-axis	60±10
6	Input Impedance (K Ω)	≥9.0
7	Input Voltage(Vp-p)	8
8	Mean Time To Failure (h)	50000
9	Operating Temperature(°C)	-40~+80
10	Storage temperature(°C)	-40~+85

■ APPEARANCE AND DIMENSIONS



# FIG1 Test Signal To Sensor



# FIG2 Simulation Test Circuit

